

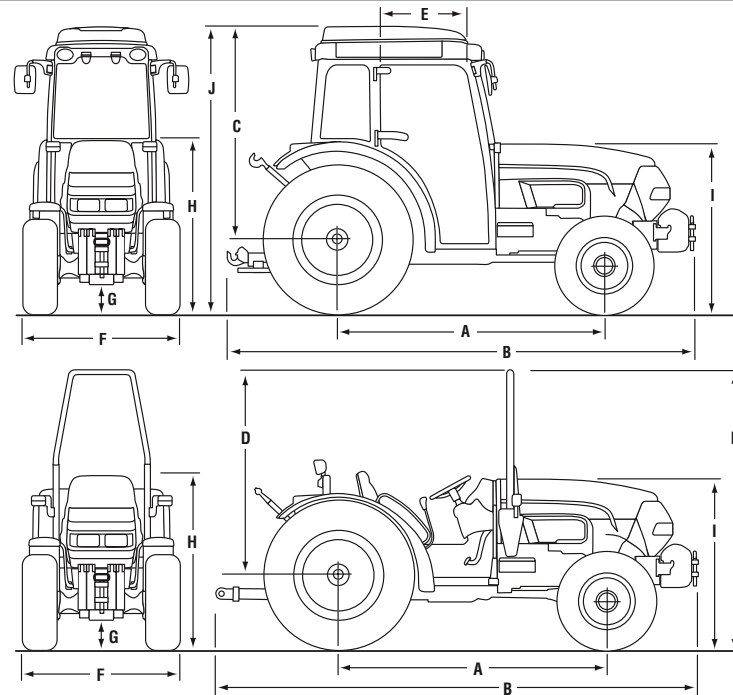
CASE II
AGRICULTURE

FARMALL® N SERIES TRACTORS
62 – 82 PTO HP



MODEL	Farmall 75N – 2WD/MFD	Farmall 95N (MFD ONLY)
POWER		
Gross Engine Horsepower	76 hp [56.7 kW]	95 hp [70.9 kW]
PTO Horsepower	62 hp [46.2 kW]	82 hp [61.2 kW]
Rated Speed (RPM)	2300	2300
Number of Cylinders/Aspiration	4/Turbocharged & intercooled	4/Turbocharged & intercooled
Displacement	195 cu. in. [3.2 L]	274 cu. in. [4.5 L]
Emission Standard	Tier III	Tier III
Throttle	Hand/Foot	Hand/Foot
FUEL SYSTEM		
Fuel Injection	Bosch fuel injection pump	Bosch fuel injection pump
TRANSMISSION & AXLE		
Standard	16x16 with mechanical shuttle	16x16 with mechanical shuttle
Rear Differential Lock 2WD/MFD	Mechanical/Electrohydraulic	Electrohydraulic
MFD Engagement	Electrohydraulic	Electrohydraulic
Brakes	Hydraulic wet disc	Hydraulic wet disc
Parking Brake	Independent, hand lever	Independent, hand lever
Ground Speed*	0.4-18.3 mph [0.6-29.5 kph]	0.4-18.3 mph [0.6-29.5 kph]
Maximum Turning Angle	55°	55°
Maximum Axle Oscillation	8°	11°
HYDRAULICS & HITCH		
Hydraulic System	Open center	Open center
Steering and Services Pump	7.2 gpm [27.3 L/min]	9.2 gpm [34.8 L/min]
Implement Pump	12.8 gpm [48.5 L/min]	17.2 gpm [65.1 L/min]
Total Tractor Flow	20 gpm [75.8 L/min]/	26.4 gpm [99.9 L/min]
Rear Remote Valves	2 standard	2 standard
Steering Type	Hydrostatic	Hydrostatic
Hitch Category	II, convertible to I, II and IIN	II, convertible to I and I-N
Sensing Type	Lower link draft sensing	Lower link draft sensing
Stabilizers	Adjustable stabilizer blocks	Adjustable stabilizer blocks
Hitch Lift Capacity (SAE) max.	4,400 lb. [1998 kg] – mfg. rating	4,400 lb. [1998 kg] – mfg. rating
PTO		
Type	Independent, dry clutch	Independent, dry clutch
Engagement	Hydraulic, servo-assist	Hydraulic, servo-assist
Speeds	540	540/1000
CAPACITIES		
Fuel Capacity	20 gal. [77 L]	20 gal. [77 L]
Alternator Amps	120	120
Battery Capacity [cold cranking amps]	800	800
LIGHTING, MEETS ASAE 5279,12		
Headlights	2	2
Work Lights	Platform - 1, Cab - 4	Platform - 1, Cab - 4
Warning/Flashers	Standard	Standard

* Ground speed measured with 380/70R24 tires.



DIMENSIONS**	Farmall 75N – 2WD/MFD	Farmall 95N (MFD ONLY)
A. Wheelbase	80.1 in. [2035 mm]/81.1 in. [2060 mm]	85.6 in. [2175 mm]
B. Overall Length	152 in. [3861 mm]/153.5 in. [3900 mm]	158 in. [4015 mm]
C. Rear Axle to Top of Cab	68.6 in. [1743 mm]	68.6 in. [1743 mm]
D. Rear Axle to Top of Rollbar	65 in. [1651 mm]	69.5 in. [1766 mm]
E. Cab Door Width	32 in. [810 mm]	32 in. [810 mm]
F. Minimum Overall Width	52.9 in. [1346 mm]/53.4 in. [1357 mm]	53.4 in. [1357 mm]
G. Minimum Ground Clearance	10.5 in. [266 mm]	10.5 in. [266 mm]
H. Height to Top of Fenders	51.3 in. [1302 mm]	51.3 in. [1302 mm]
I. Height to Top of Hood	51 in. [1294 mm]	51 in. [1294 mm]
J. Height to Top of Cab	90.7 in. [2303 mm]	90.7 in. [2303 mm]
K. Height to Top of Rollbar	87 in. [2210 mm]	91.6 in. [2326 mm]
Total Weight – Platform	5,027 lb. [2280 kg]/5,560 lb. [2540 kg]	5,820 lb. [2640 kg]
Total Weight – Cab	5,335 lb. [2420 kg]/5,886 lb. [2670 kg]	6,107 lb. [2770 kg]

** Both platform and cab tractor dimensions measured with 380/70R24 tires.



Safety Never Hurts!™ Always read the Operator's Manual before operating any equipment. Inspect equipment before using it, and be sure it is operating properly. Follow the product safety signs, and use any safety features provided.

Case IH is a registered trademark of CNH America LLC.

Any trademarks referred to herein, in association with goods and/or services of companies other than CNH America LLC, are the property of those respective companies.

CNH America LLC reserves the right to make improvements in design and changes in specifications at any time without notice and without incurring any obligation to install them on units previously sold. Specifications, descriptions and illustrative material herein are as accurate as known at time of publication, but are subject to change without notice.

Availability of some models and equipment builds vary according to the country in which the equipment is used.